

# ACCESS B1

Portable lift that with only one anchor allows it to be moved and share the use between several swimming pools.



## Portable.

Easy and effortless assembly and transport.



## Immediate assembly,

and without the need for permanent anchor which allows sharing between several pools.



## Robust and great balance

for its transport, without oscillations during the transfer.



## Telescopic anchoring arm

to adapt to different types of overflow.

### TECHNICAL DATA

Max. lifting capacity: **160 kg**

Turning angle: **150°**

Required pressure: **3,5 a 5 bars**

Anchor arm: **Telescopic**  
**620 to 960 mm**

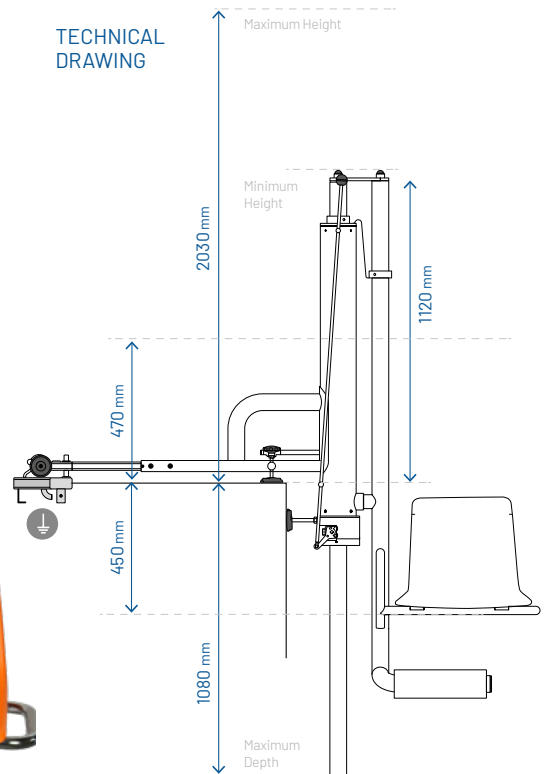
Minimum depth: **1100 mm**

Weight: **54 kg**

Dimensions: **3110 x 1300 mm**



### TECHNICAL DRAWING



View video

**ACCESS**

by **BLAUTEC** SWIMMING POOL ACCESSIBILITY EXPERTS

[www.accessiblepool.com](http://www.accessiblepool.com)

(+34) 93 595 18 36 | [access@blautec.com](mailto:access@blautec.com)



# ACCESS B1

Heavy resistance in a portable hydraulic pool lift.

## TECHNICAL ADVANTAGES



**User friendly access.** Water-facing transfer with rigid footrest for greater comfort and safety of the user.



**Maximum autonomy for people with reduced mobility.** Double operation system activated from the inside and the outside of the swimming pool.



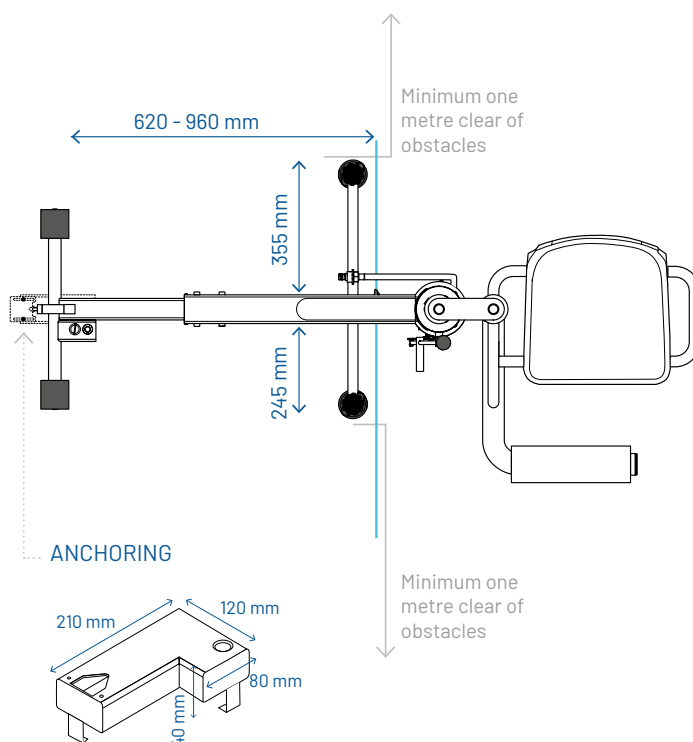
**Own manufacture** in our workshop in Barcelona with stainless steel AISI 316L and polypropylene.



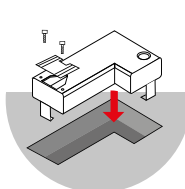
**Minimal maintenance** with maximum durability guarantees



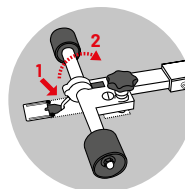
**Technical assistance and permanent stock** of spare parts.



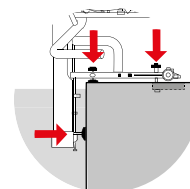
## ASSEMBLY INSTRUCTIONS



Drill and embed the anchor.



Attach the hook and position the lift. Lower the hook and the lift.



Screw in the fixing shaft and adjust the height of the adjustment feet.

## DECLARATION OF CONFORMITY

We declare under our responsibility that the machine:

Type: Hydraulic lift for people with reduced mobility

Brand: ACCESS

Is in conformity with the essential health and safety requirements of the Directives: 98/37 CE "Máquinas" And is in conformity with harmonised European standards:

UNE EN ISO 12100-1

UNE EN 982

UNE EN 1050

UNE EN ISO 12100-2

UNE EN 418

UNE EN ISO 10535

