

ACCESS B2

Fixed pool lift, with simple installation and low maintenance, and with high robustness and safety specifications.



Fixed with an anchor
attached to the swimming pool.



Easy installation,
it only requires three stainless steel plugs and three simple supports.



Telescopic anchoring arm.



Maximum strength and safety
for the user.

TECHNICAL DATA

Max. lifting capacity: **140 kg**

Turning angle: **150 °**

Required pressure: **3,5 a 5 bars**

Anchor arm: **Telescopic**
620 to 960 mm

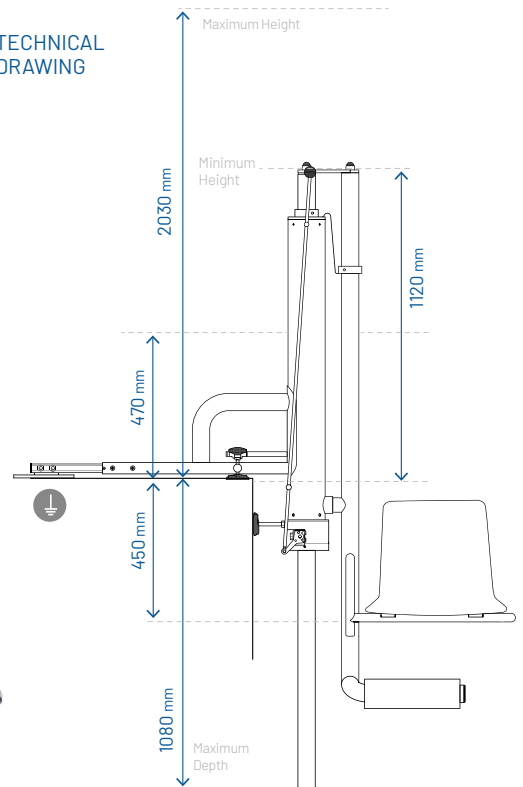
Minimum depth: **1100 mm**

Weight: **54 kg**

Dimensions: **3110 x 1300 mm**



TECHNICAL DRAWING





ACCESS B2

High resistance
in a fixed hydraulic
pool lift.

TECHNICAL ADVANTAGES



User friendly access. Water-facing transfer with rigid footrest for greater comfort and safety of the user.



Maximum autonomy for people with reduced mobility. Double operation system activated from the inside and the outside of the swimming pool.



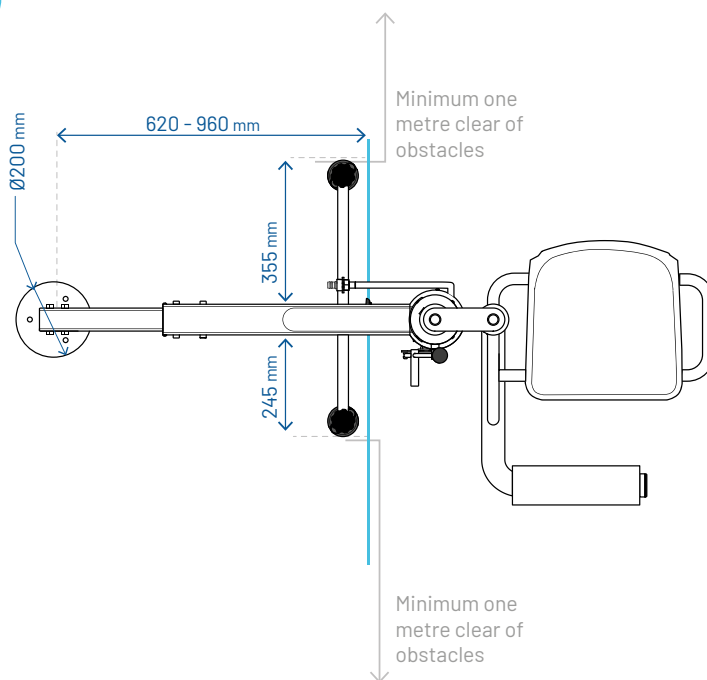
Own manufacture in our workshop in Barcelona with stainless steel AISI 316L and polypropylene.



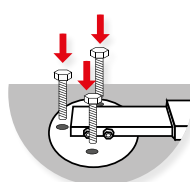
Minimal maintenance with maximum durability guarantees



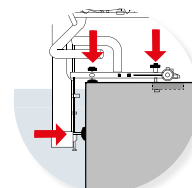
Technical assistance and permanent stock of spare parts.



ASSEMBLY INSTRUCTIONS



Present the lift, mark and drill the three holes.
Ø 12-12,5 mm



Screw in the fixing shaft and adjust the height of the adjustment feet.

DECLARATION OF CONFORMITY

We declare under our responsibility that the machine:

Type: Hydraulic lift for people with reduced mobility

Brand: ACCESS

Is in conformity with the essential health and safety requirements of the Directives: 98/37 CE "Máquinas" And is in conformity with harmonised European standards:

UNE EN ISO 12100-1
UNE EN 982
UNE EN 1050

UNE EN ISO 12100-2
UNE EN 418
UNE EN ISO 10535

