

# ACCESS B2

Fixed pool lift, with simple installation and low maintenance, and with high robustness and safety specifications.



**Fixed with an anchor**  
attached to the swimming pool.



**Easy installation,**  
it only requires three stainless steel plugs and three simple supports.



**Telescopic anchoring arm.**



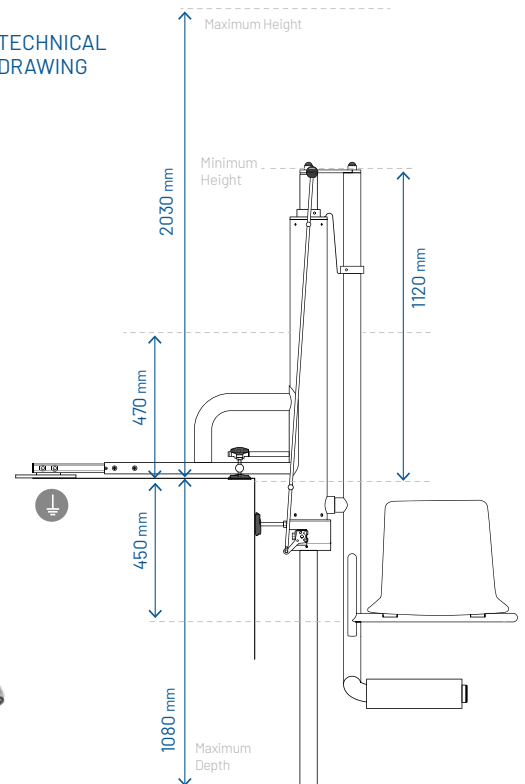
**Maximum strength and safety**  
for the user.

## TECHNICAL DATA

Max. lifting capacity: <b>140 kg</b>
Turning angle: <b>150 °</b>
Required pressure: <b>3,5 a 5 bares</b>
Anchor arm: <b>Telés copico</b> <b>620 a 960 mm</b>
Minimum depth: <b>1100 mm</b>
Weight: <b>54 kg</b>
Dimensions: <b>3110 x 1300 mm</b>



## TECHNICAL DRAWING





# ACCESS B2

High resistance  
in a fixed hydraulic  
pool lift.

## TECHNICAL ADVANTAGES



**User friendly access.** Water-facing transfer with rigid footrest for greater comfort and safety of the user.



**Maximum autonomy for people with reduced mobility.** Double operation system activated from the inside and the outside of the swimming pool.



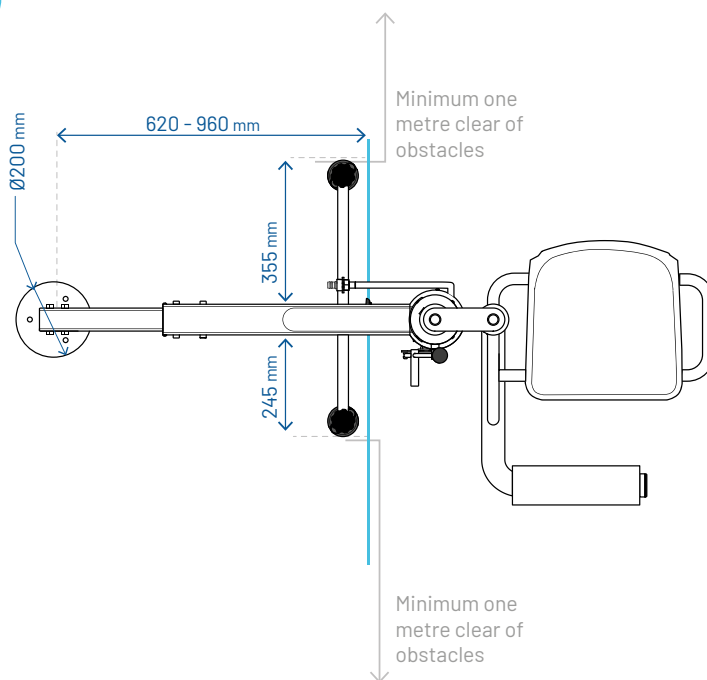
**Own manufacture** in our workshop in Barcelona with stainless steel AISI 316L and polypropylene.



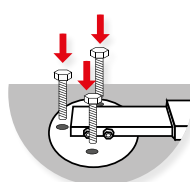
**Minimal maintenance** with maximum durability guarantees



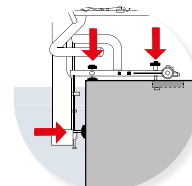
**Technical assistance and permanent stock** of spare parts.



## ASSEMBLY INSTRUCTIONS



Present the lift, mark and drill the three holes.  
Ø 12-12,5 mm



Screw in the fixing shaft and adjust the height of the adjustment feet.

### DECLARATION OF CONFORMITY

We declare under our responsibility that the machine:

Type: Hydraulic lift for people with reduced mobility

Brand: ACCESS

Is in conformity with the essential health and safety requirements of the Directives: 98/37 CE "Máquinas" And is in conformity with harmonised European standards:

UNE EN ISO 12100-1  
UNE EN 982  
UNE EN 1050

UNE EN ISO 12100-2  
UNE EN 418  
UNE EN ISO 10535

