

# ACCESS B4 & B4 XL

Hydraulic lift with high safety features and adaptable to all pool surfaces.



**Fixed with an anchor**  
attached to the swimming pool.



**Adaptable to all types of pools**, including non-overflowing ones.



**Adjustable according to the depth** of the pool. Suitable for shallower pools.



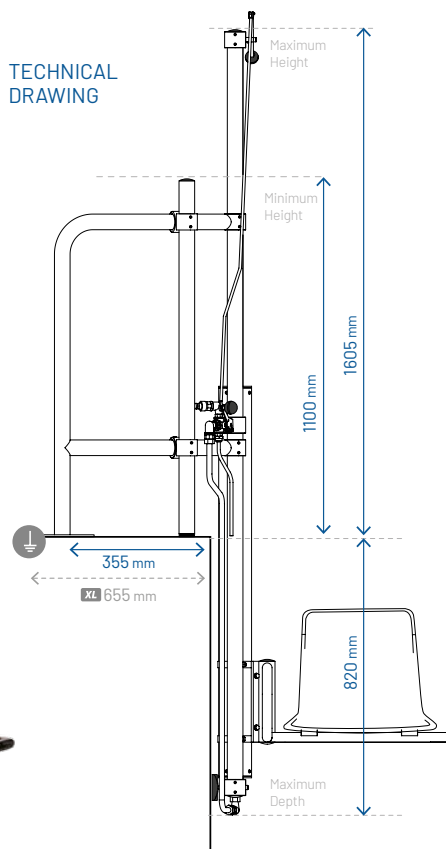
**Easy installation**, it only requires three stainless steel plugs and three simple supports.

## TECHNICAL DATA

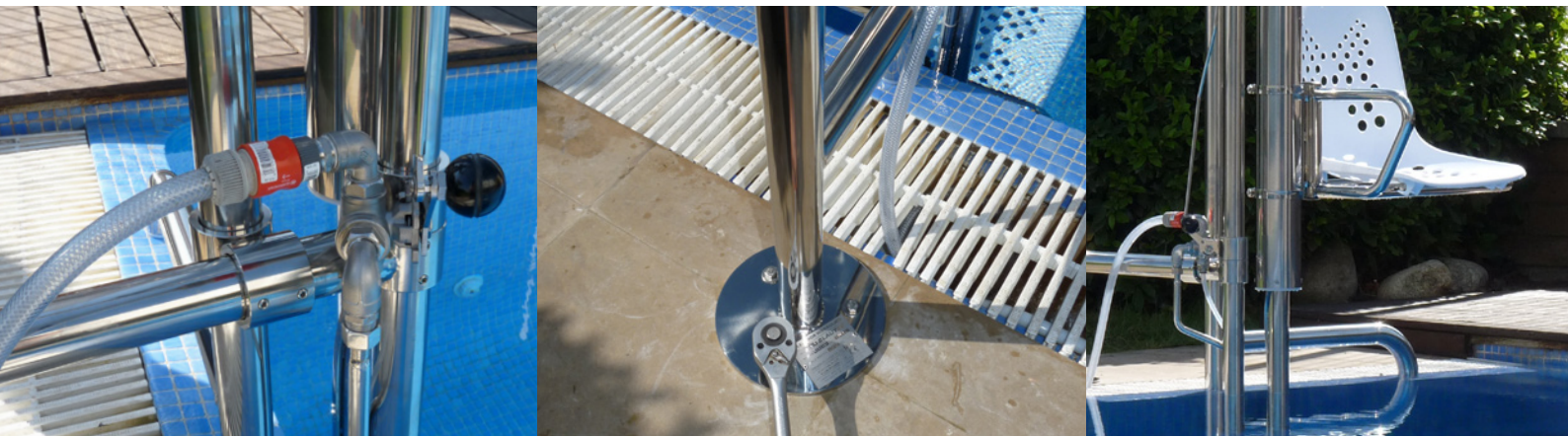
	B4	B4XL
Max. lifting capacity:	<b>120 kg</b>	
Turning angle:	<b>160 °</b>	
Required pressure:	<b>3,5 a 5 bares</b>	
Anchor arm:	<b>355</b>	<b>655 mm</b>
Minimum depth:	<b>800 mm</b>	
Weight:	<b>43 kg</b>	<b>44,5 Kg</b>
Dimensions:	<b>2425 x 700 mm</b>	



## TECHNICAL DRAWING



View video



# ACCESS B4 & B4<sup>XL</sup>

Fixed adjustable hydraulic lift, with low maintenance.

## TECHNICAL ADVANTAGES



Equipment recommended for seasonal pools.



**User friendly access.** Water-facing transfer with rigid footrest for greater comfort and safety of the user.



**Maximum autonomy for people with reduced mobility.** Double operation system activated from the inside and the outside of the swimming pool.



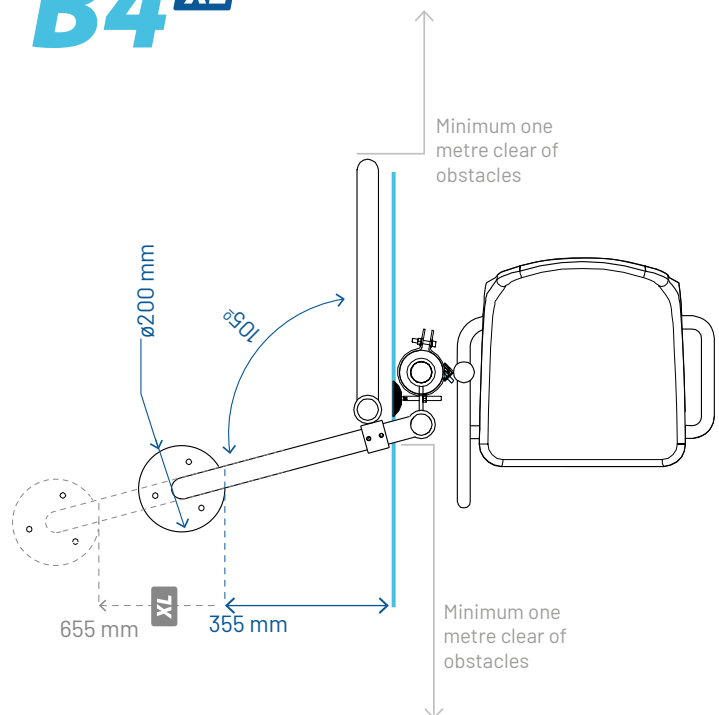
**Own manufacture** in our workshop in Barcelona with stainless steel AISI 316L and polypropylene.



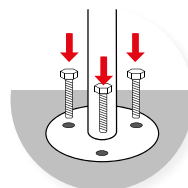
**Minimal maintenance** with maximum durability guarantees



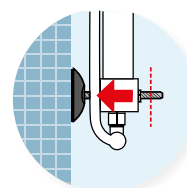
**Technical assistance and permanent stock** of spare parts.



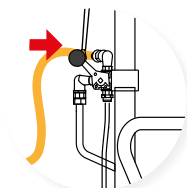
## ASSEMBLY INSTRUCTIONS



Present the lift, mark and drill the three holes.  
Ø 12-12,5 mm



Fit the lift and the earthing terminal. Adjust the lower stop.



Fit the water connection to supply the circuit

### DECLARATION OF CONFORMITY

We declare under our responsibility that the machine:

Type: Hydraulic lift for people with reduced mobility

Brand: ACCESS

Is in conformity with the essential health and safety requirements of the Directives: 98/37 CE "Máquinas" And is in conformity with harmonised European standards:

UNE EN ISO 12100-1  
UNE EN 982  
UNE EN 1050

UNE EN ISO 12100-2  
UNE EN 418  
UNE EN ISO 10535

